

TRAIL 100hp RTF

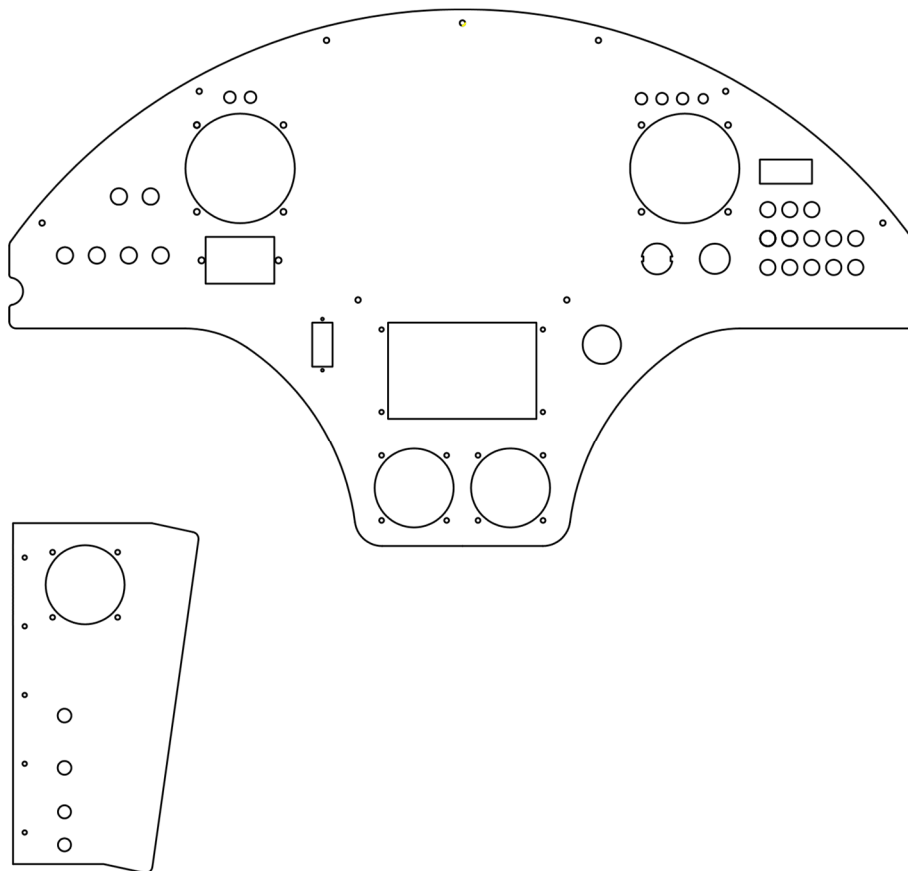
- Maximum Take Off Weight of 600Kg
- Folding wing system
- Full anticorrosion treatment
- Rotax 912 ULS 100hp engine
- E-Props three blade carbon propeller 1.75m with metal leading edge
- Vortex generators
- New STOL wing tip
- Fire sleeve on fuel and oil pipes
- Auxiliary electric fuel pump
- 5l headertank with fuel reserve sensor and fuel drain valve
- Wing fuel tanks (50+50 lt)
- Manual flap actuation with negative setting
- Electrical trim for pitch axe
- Pilot stick with PTT and trim control
- Beringer brakes and rims with 8.50-6 tires (22")
- Brakes for front and rear seat
- 8" tailwheel with crossbow
- Seats with 4 points safety belts and fabric upholstery
- Strobo light on vertical tail
- Litium battery
- Standard single color livery with logo on vertical tail
- Cabin heat system

Standard instrument panel:

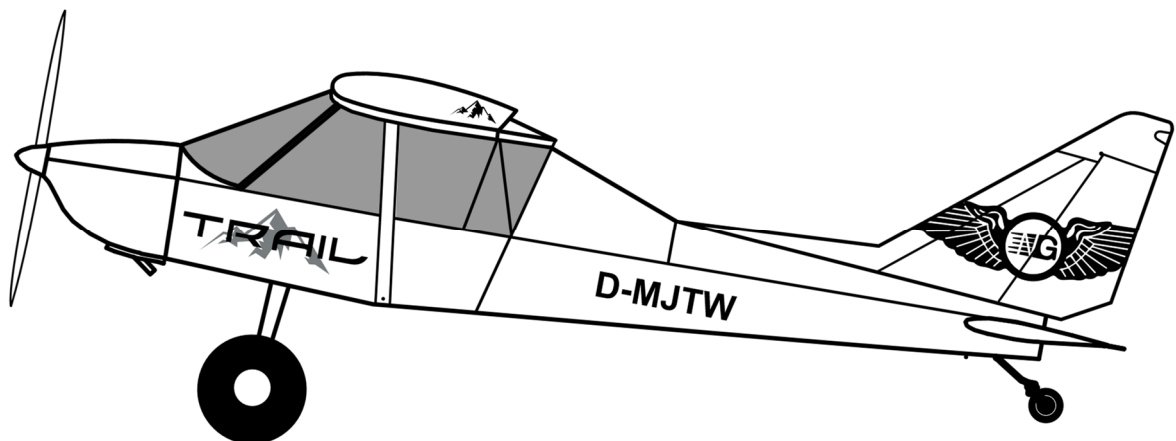
- Kanardia Combo diam. 80 mm
- Slip ball
- Winter Instruments compass
- Kanardia DIGI EMS
- 12 V/ USB 5V panel plug
- Klixon Breakers
- Panel painted in light grey or black with dedicated graphics

TOTAL: 91.452 € vat excluded

Standard Panel:



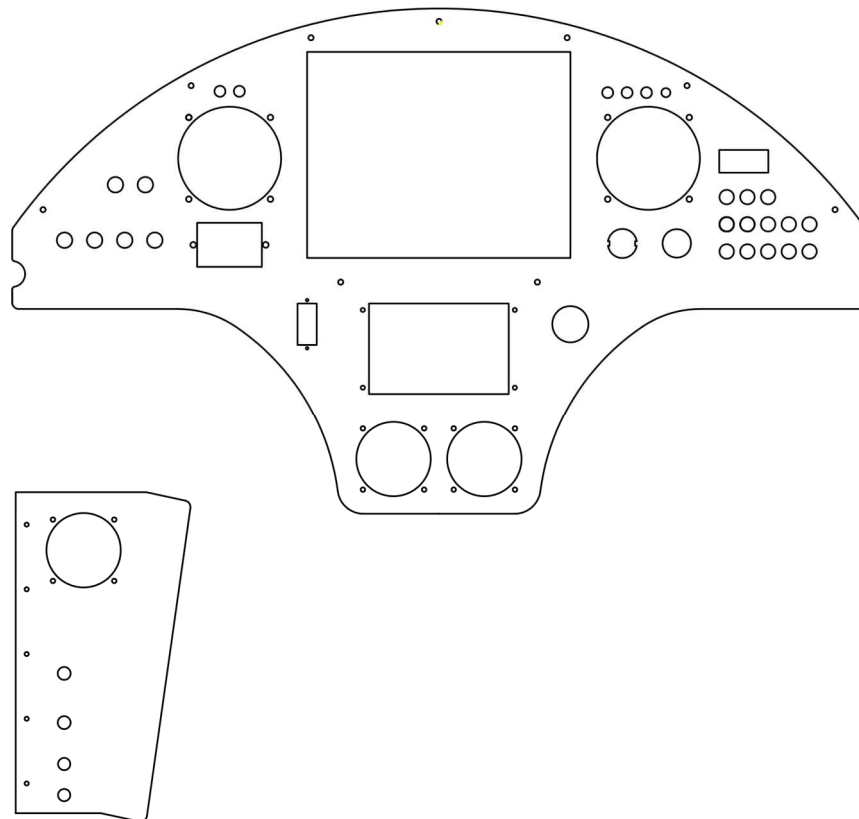
Standard Livery:



Color could be selected from standard RAL codes. Standard stickers in black color

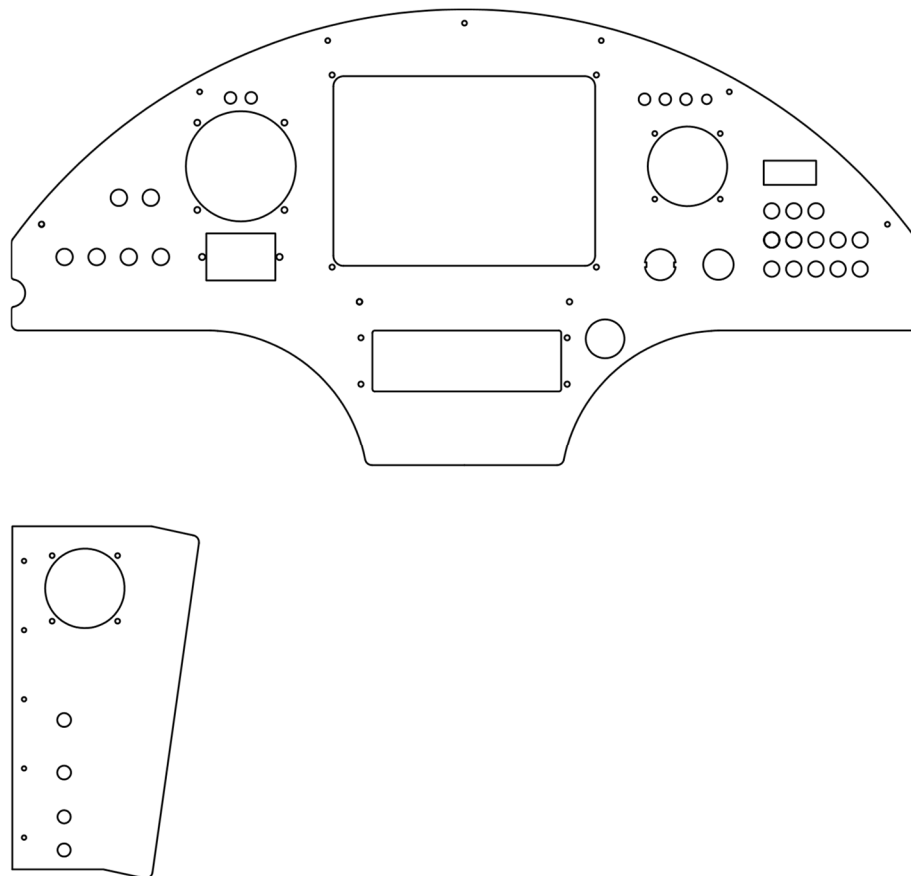
OPTIONAL [installation included]	Price [vat excluded]	
Gropo wing stobo lights	600 €	
Extra two blade 1.95 carbon Helix propeller with metal leading edge	300 €	
Extra for E-Props Glorieuse 1.9 variable pitch propeller + governor	5500 €	
Extra two blade 1.75 carbon Kaspar variable propeller (manual in flight variable pitch propeller)	2250 €	
Extra two blade 1.75 carbon Kaspar variable propeller + governor + electric/hydraulic actuator	3550 €	
Steel firewall	180 €	
Airbox	1450 €	
Safety rescue system for MTOW 600Kg	5000 €	
Safety rescue system for MTOW 525 Kg	4250 €	
Thermostatic valve for oil system	550 €	
Thermostatic valve for water system	550 €	
Wing fuel level sensors	786 €	
Beringer "bush" kit with 27.5" tires & 10" tailwheel	5780 €	
Double landing light under left and right wing	600 €	
Upholstery leather version	1500 €	
Passenger stick with PTT e Trim + Relè	550 €	
Snap vent on doors windows	80 €	
Internal pockets	80 €	
<i>Frame for road transportation [only for folding wing version]</i>	500 €	
Windshield cover	450 €	
Door lock	200 €	
Towing hook set	1500 €	

OPTIONAL STANDARD PANEL [installation included]	Price [vat excluded]	
Radio TRIG TY91 VHF 8.33 Khz + antenna	2145 €	
Transponder TRIG TT21 Mode S + antenna	2820 €	
ELT ACK E-04-406 Mhz + battery for remote & buzzer	1080 €	
GPS Garmin AERA 760 + Airgizmo Dock + external antenna	2365 €	
EFIS Garmin G5 + installation kit+ external GPS antenna	2320 €	
Autopilot Garmin with GMC 305 panel [Garmin G5 mandatory]	4.700 €	
Air Avionics AT-1 traffic avoidance with 57mm display	3160 €	
Air Avionics AT-1 traffic avoidance with 80mm display [only with Kanardia DIGI EMS]	3260 €	



GARMIN G3X PANEL [installation included]	Price [vat excluded]	
Garmin G3X Touch 7" landscape display with backup battery EFIS with synthetic view GPS EMS (CHT, EGT, OIL P., OIL T., FUEL P., MAP) Transponder Garmin GTX 35 R Mode S Radio TRIG TY91 VHF 8.33 Khz 12 V/ USB 5V panel plug Klixon breakers	15050 €	

OPTIONAL GARMIN G3X PANEL [installation included]	Price [vat excluded]	
Autopilot Garmin with GMC 305 panel	4700 €	
ELT ACK E-04-406 Mhz	1080 €	
Power Flarm Fusion	3185 €	



CUSTOM COCKPIT	Price [vat excluded]	
Custom cockpit design	800 €	
Custom livery realization	<i>On request</i>	

LIVERY	Price [vat excluded]	
Custom livery design	800 €	
Custom livery realization	<i>On request</i>	

Prices are:

- *Without taxes and shipping, and registration*

Prices can be modified without any advice.

Payment terms:

- *30% at order signature*
- *20% at 50% of works*
- *Balance at delivery at Mezzana Bigli premises*